



With plenty of space for workout gear and more, this duffel features zippered front and end pockets and a side zippered wet/dry pocket with ventilation.

- 150 x 300D polyester/1,680D ballistic nylon
- 150D polyester lining
- Contrast welded Swoosh design trademark
- Zippered main compartment
- Dual web handles with padded grip
- Adjustable, detachable, padded shoulder strap
- Dimensions: 20”l x 11”w x 11”d; Approx. 2,420 cubic inches

Bags not intended for use by children 12 and under. Bags have a hangtag with information on responsible sourcing, product safety and a California Prop 65 warning

## COLOR INFORMATION



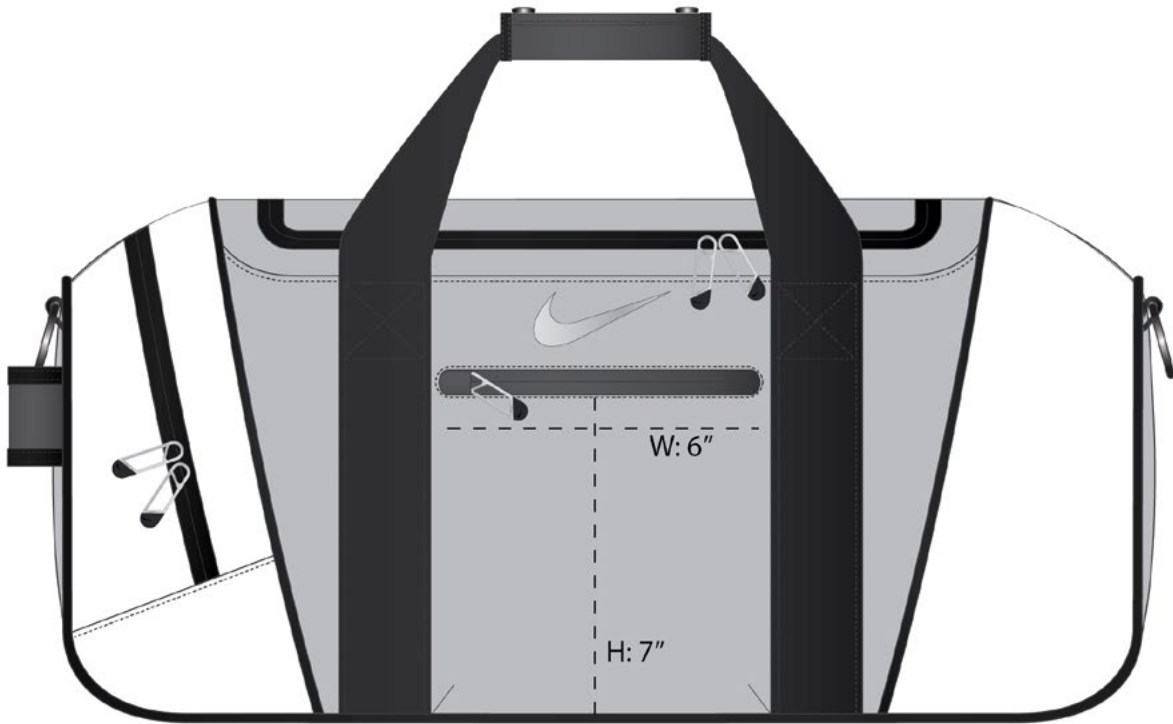
Black/  
Antracite  
PMS  
PROCESS  
BLACK C



Dark Grey/  
Military Blue  
PMS 425 C



Wolf Grey/  
Gym Red  
PMS 429 C



FRONT VIEW