

## **Port Authority® Ladies Laptop Tote BG401**



The tweed look of this tote adds professional style, while the padded sleeve keeps valuable electronics protected.

- 100% polyester
- Seatbelt handles
- Zippered top closure
- Padded laptop sleeve
- Padded tablet sleeve
- Interior organizational panel with large zippered closure pocket
- Zippered front pocket
- Laptop sleeve dimensions: 9.5”h x 14”w x 1”d; fits most 15” laptops
- Dimensions: 11.75”h x 14.25”w x 5.25”d; Approx. 879 cubic inches

Note: Bags not intended for use by children 12 and under.

### **Care Instructions**

Wipe with damp cloth to clean.

[Tips For Effectively Screen Printing Polyester Fabrics](#)

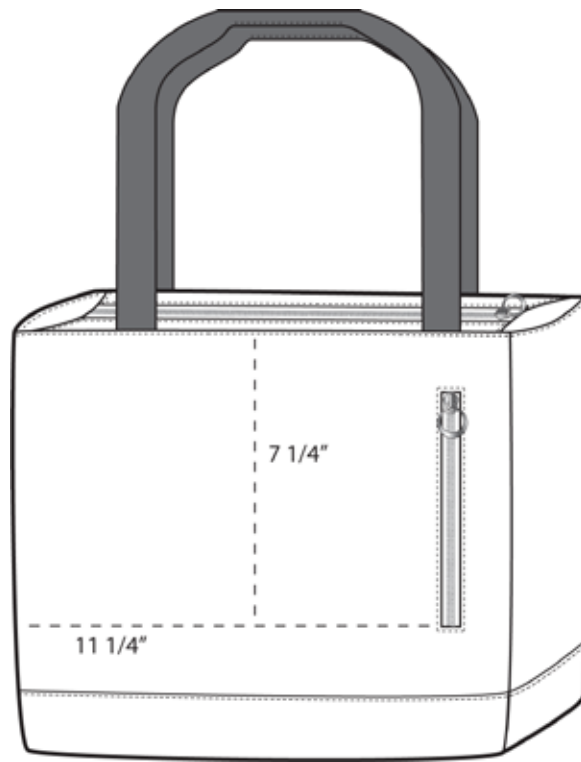
### **COLOR**



Dark Charcoal  
PMS 426 C



Espresso  
PMS BLACK 5 C



Front View