



Sized to fit the gear you need to be active, this duffel also has several pockets to keep things organized. A lined, padded bottom gives this durable bag structure and protection.

- 600 denier polyester canvas, contrast ripstop accents, abrasion and water-resistant coated bottom
- Large decoration-friendly front zippered pocket
- Zippered end pocket with exterior stretch mesh pocket
- Zippered end pocket with gusseted shoe, ball or equipment pocket with mesh for ventilation
- Webbing zipper pulls with contrast stitching for visibility
- Padded handle
- Adjustable, detachable shoulder strap with no-slip pad
- Dimensions: 15”h x 29”w x 13.25”d; Approx. 5,764 cubic inches

Note: Bags not intended for use by children 12 and under.

CARE INSTRUCTIONS

Wipe with damp cloth and mild soap.

COLOR INFORMATION



Black/ Black
PMS NTR
BLACK C



Dark Chacoal/
Black
PMS 7540 C



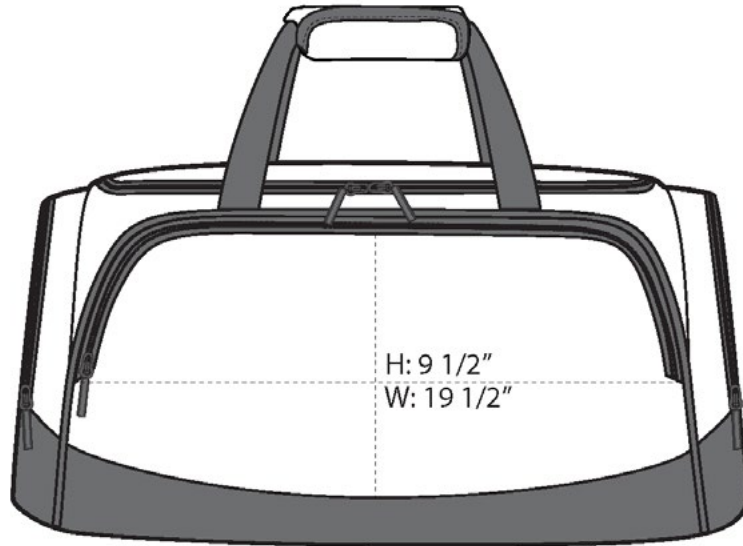
Lime Shock/
Black
PMS 368 C



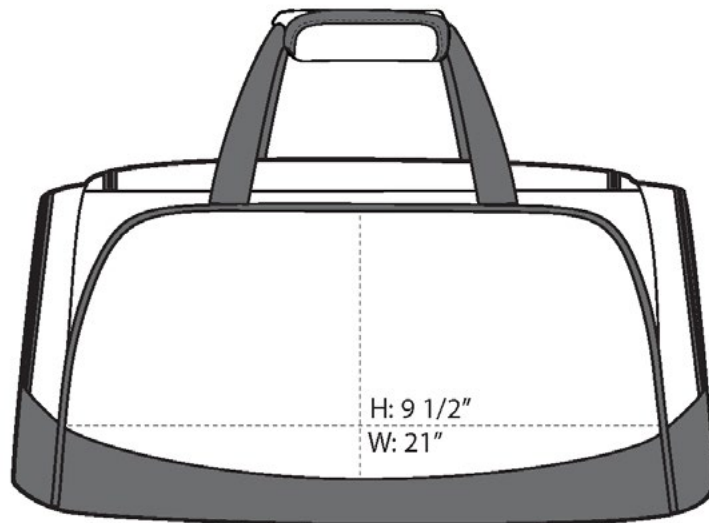
True Red/
Black
PMS 200 C



True Royal/
Black
PMS 7686 C



FRONT VIEW



BACK VIEW