



This soft cinch has a smooth, flat surface, so it's perfect for direct to garment printing.

- 100% cotton sheeting
- Dyed-to-match drawcords closure
- Dimensions: 15.5”h x 13.5”w

Note: Bags not intended for use by children 12 and under.

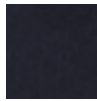
COLOR INFORMATION



Black
NTR BLACK C



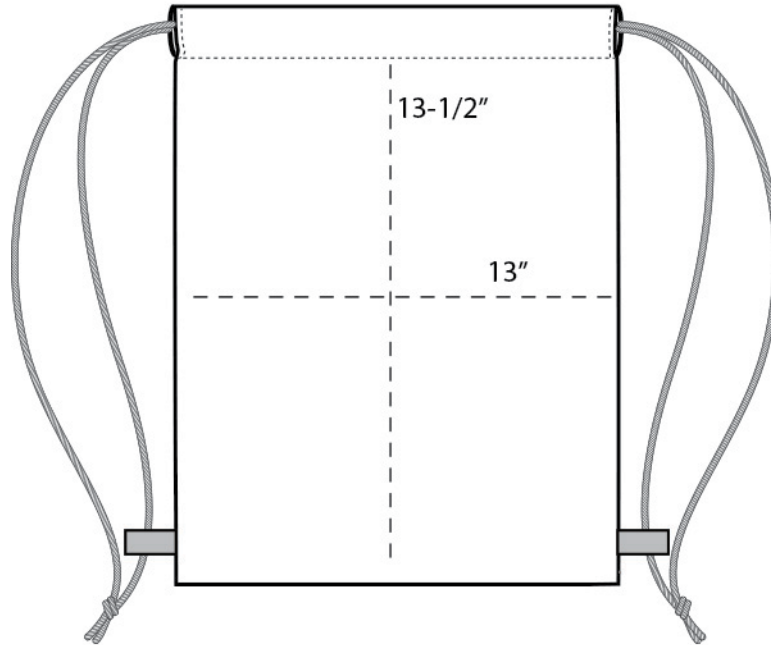
Natural
9184C



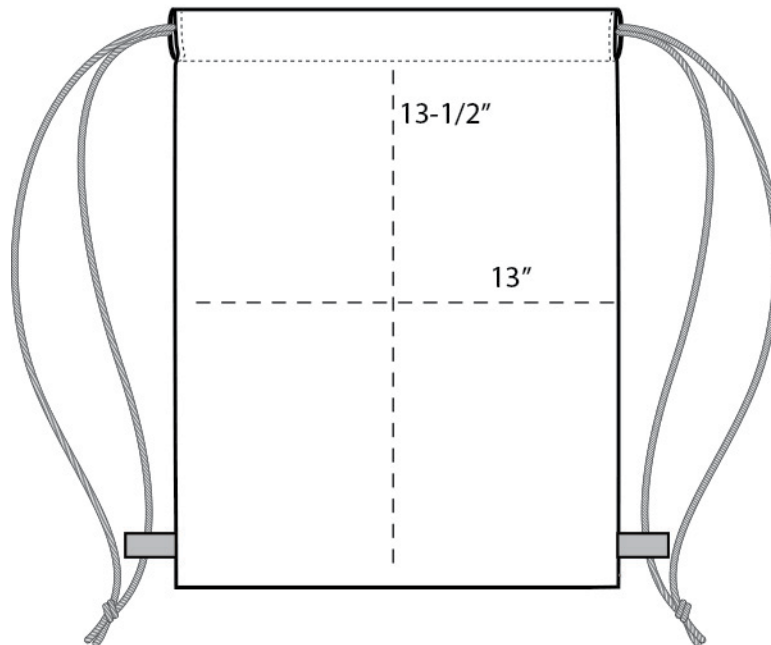
Navy
533C



Sterling Grey
NO MATCH



FRONT VIEW



BACK VIEW