

Port Authority® Medium Felt Tote BG402M



Constructed from easy-to-decorate felt, this sturdy colorblock tote has riveted web handles. Available in two sizes, it's a budget-friendly way to carry almost anything.

- 100% polyester felt
- Dimensions: 12”h x 17”w x 4.25”d, Approx. 867 cubic inches

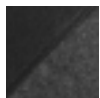
Note: Bags not intended for use by children 12 and under.

Care Instructions

Wipe clean with a damp cloth.

[Tips For Effectively Screen Printing Polyester Fabrics](#)

COLOR



Black/ Felt Charcoal
PMS NTR BLACK C



Charge Green/
Felt Grey
PMS 377 C



Deep Turquoise/
Felt Grey
PMS 7710 C



Engine Red/
Felt Charcoal
PMS 7427 C



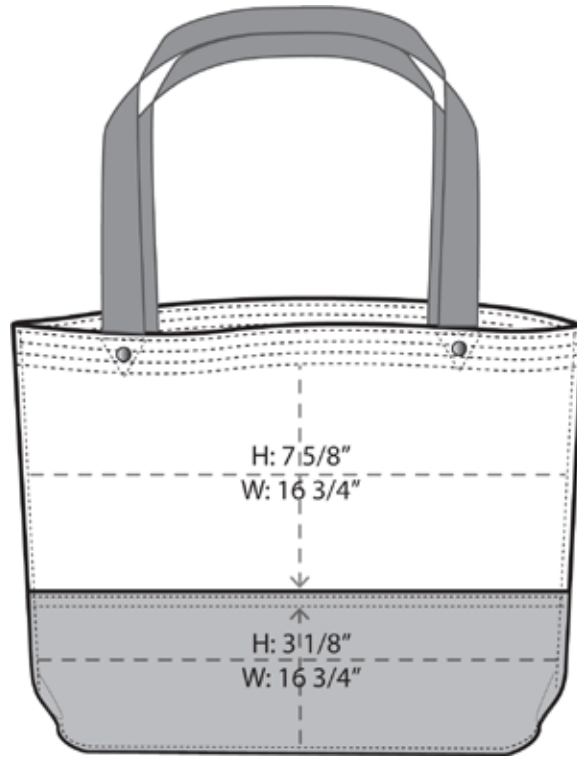
Felt Charcoal/
Felt Grey
PMS 7540 C



Raspberry Sorbet/
Felt Grey
PMS 7433 C



Royal/ Felt Charcoal
PMS 654 C



Front View

Note: Best graphic placement should be per the embellisher/screen printer recommendations.